

Nokia Customer Care

Service Manual

RM-438; RM-439 (Nokia 7100 Supernova)

Schematics

Part No: 9212130 (Issue 1)

COMPANY CONFIDENTIAL



Nokia 7100 Supernova Service Manual Structure

1 RM-438/439 schematics

(This page left intentionally blank.)

Nokia Customer Care

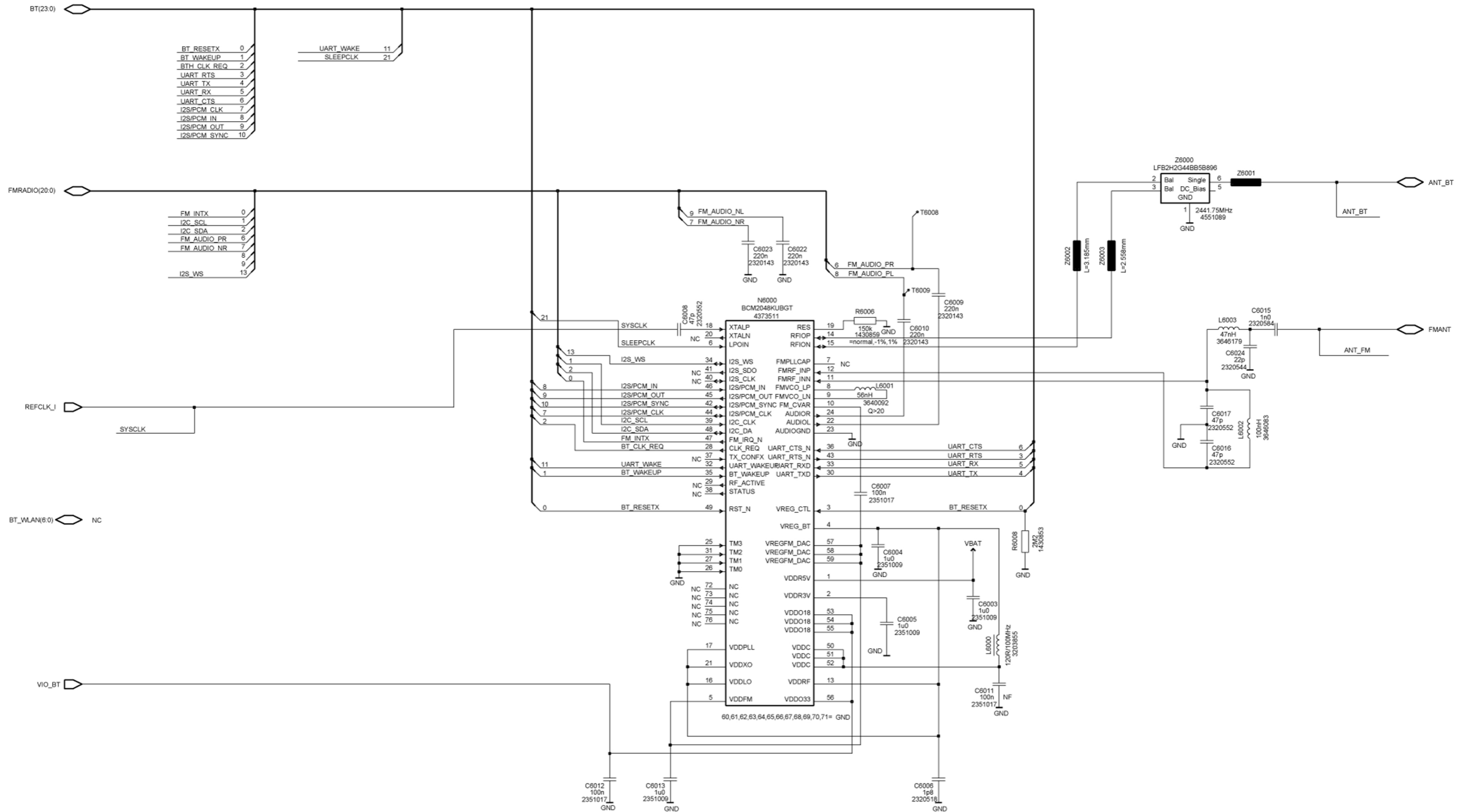
1 — RM-438/439 schematics

(This page left intentionally blank.)

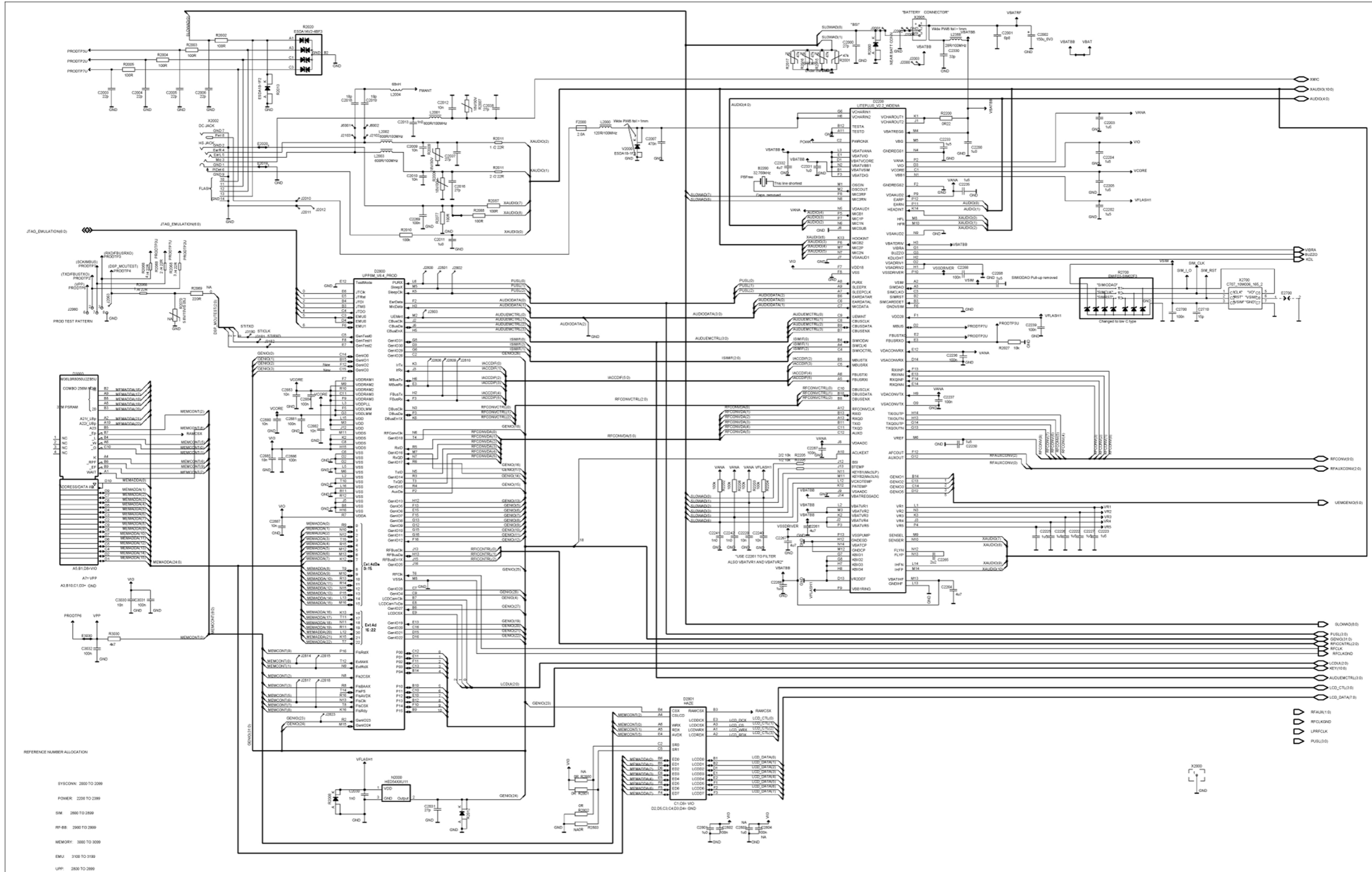
Table of Contents

RM-438/439 BTHFM RDS 2.0D 1+4+1.....	1-4
RM-438/439 BB.....	1-5
RM-438_439 BB & RF.....	1-6
RM-438_439 BTH.....	1-7
RM-438_439 Interface.....	1-8
RM-438_439 UIHW & AUDIO.....	1-9
RM-438_439 HUGIN+ RF Reuse Block.....	1-10
RM-438_439 HUGIN Reuse Block Schematics.....	1-11
RM-438_439 FEM Block Schematics.....	1-12

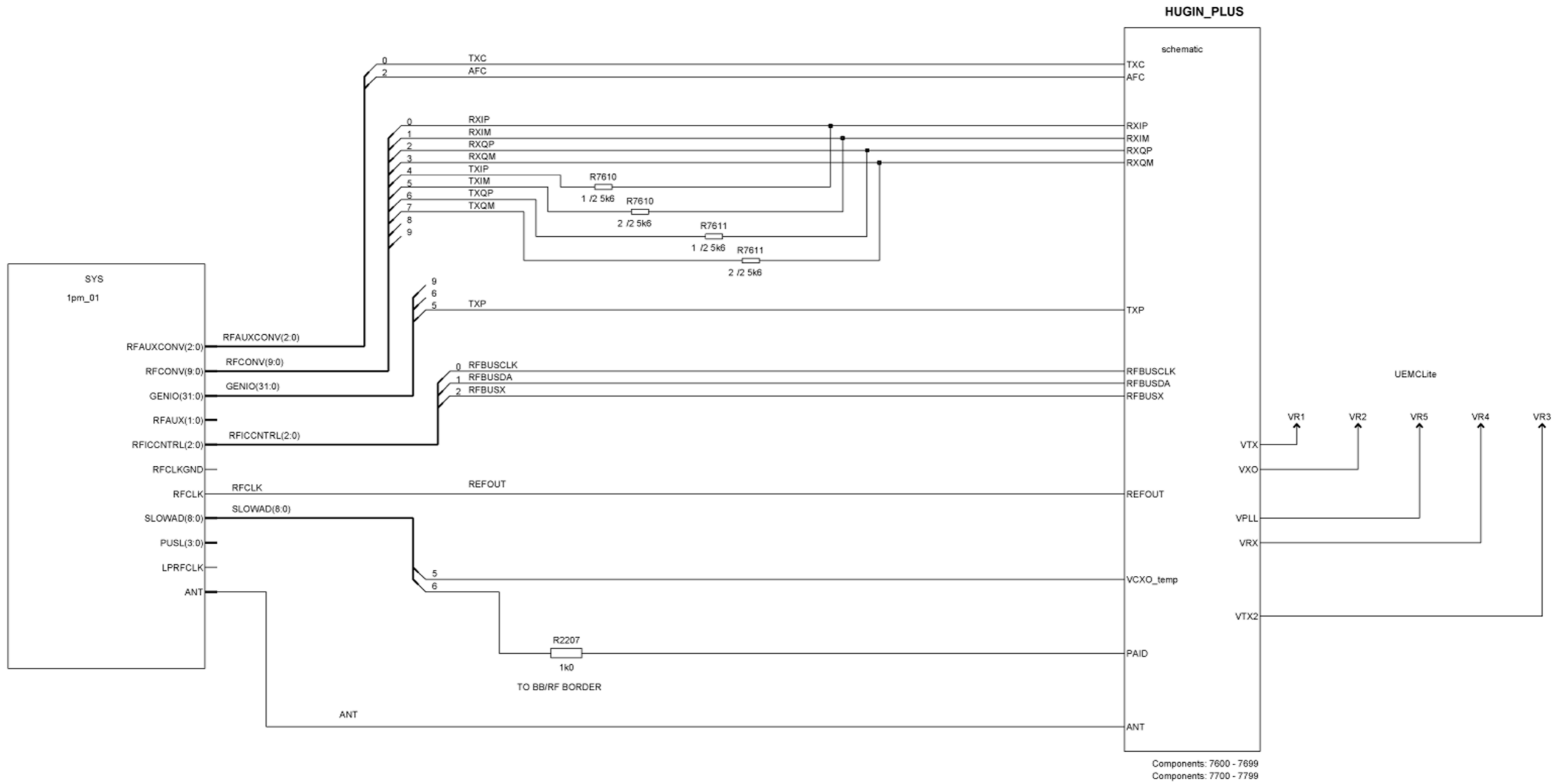
■ RM-438/439 BTHFM RDS 2.0D 1+4+1



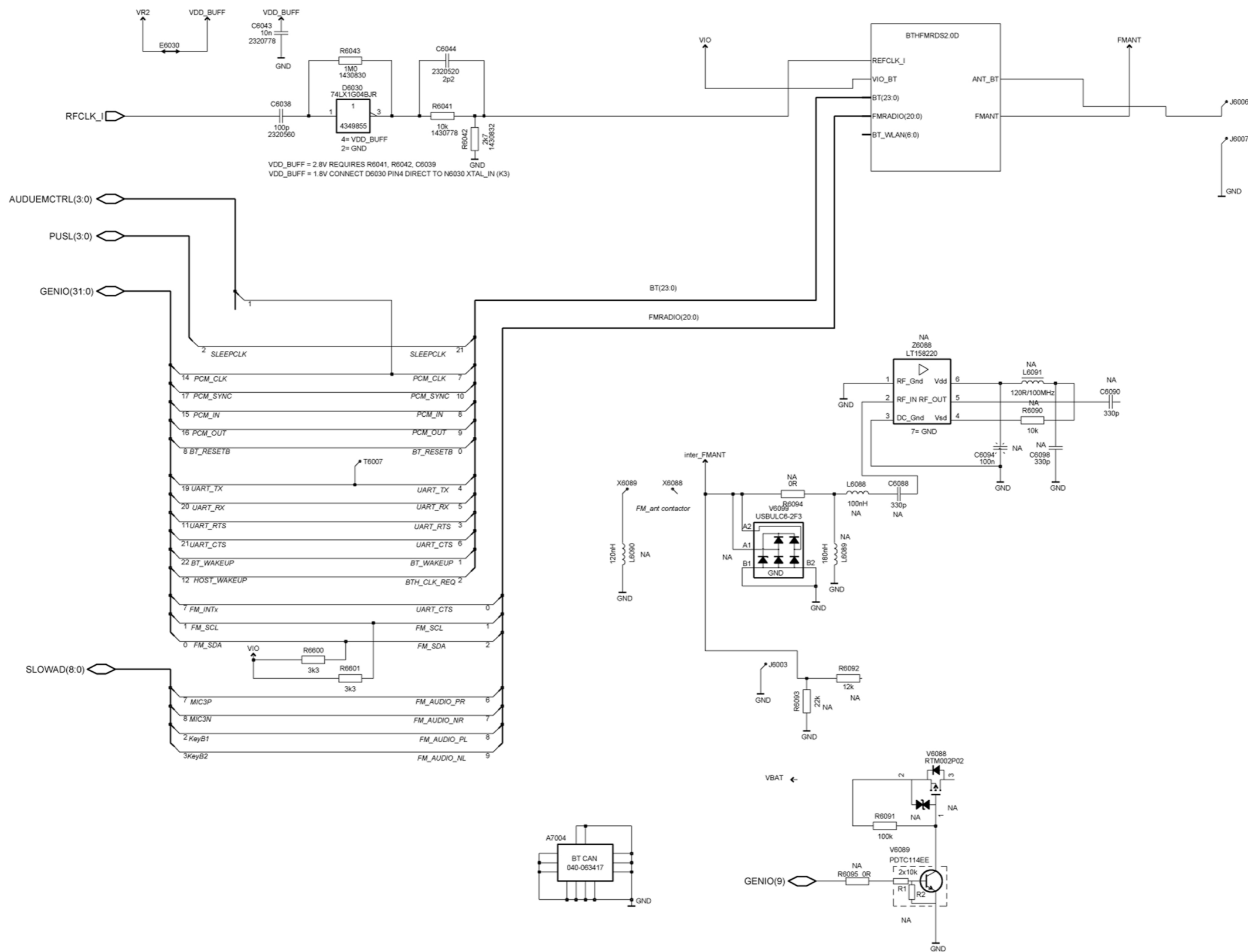
■ RM-438/439 BB



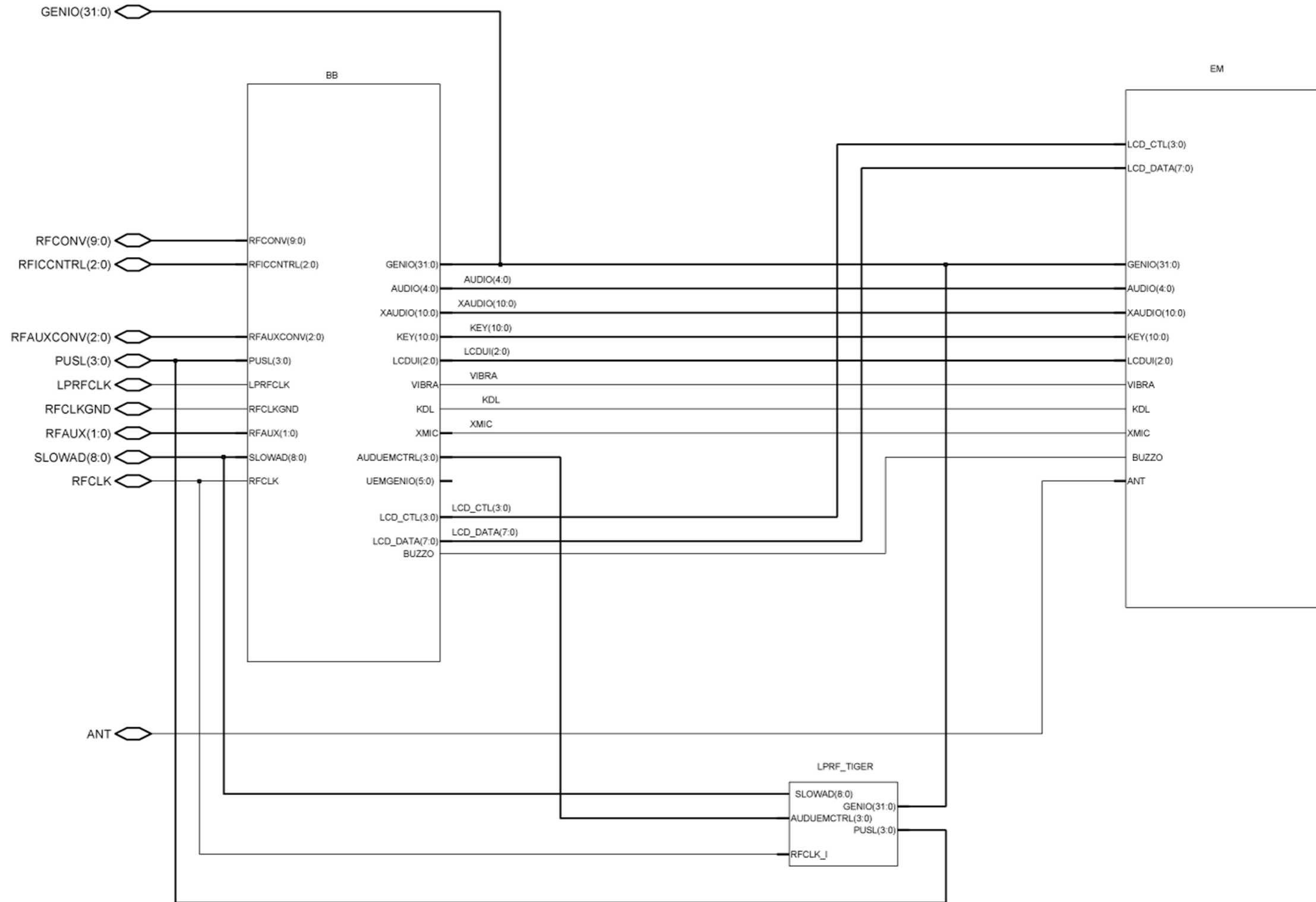
■ RM-438_439 BB & RF



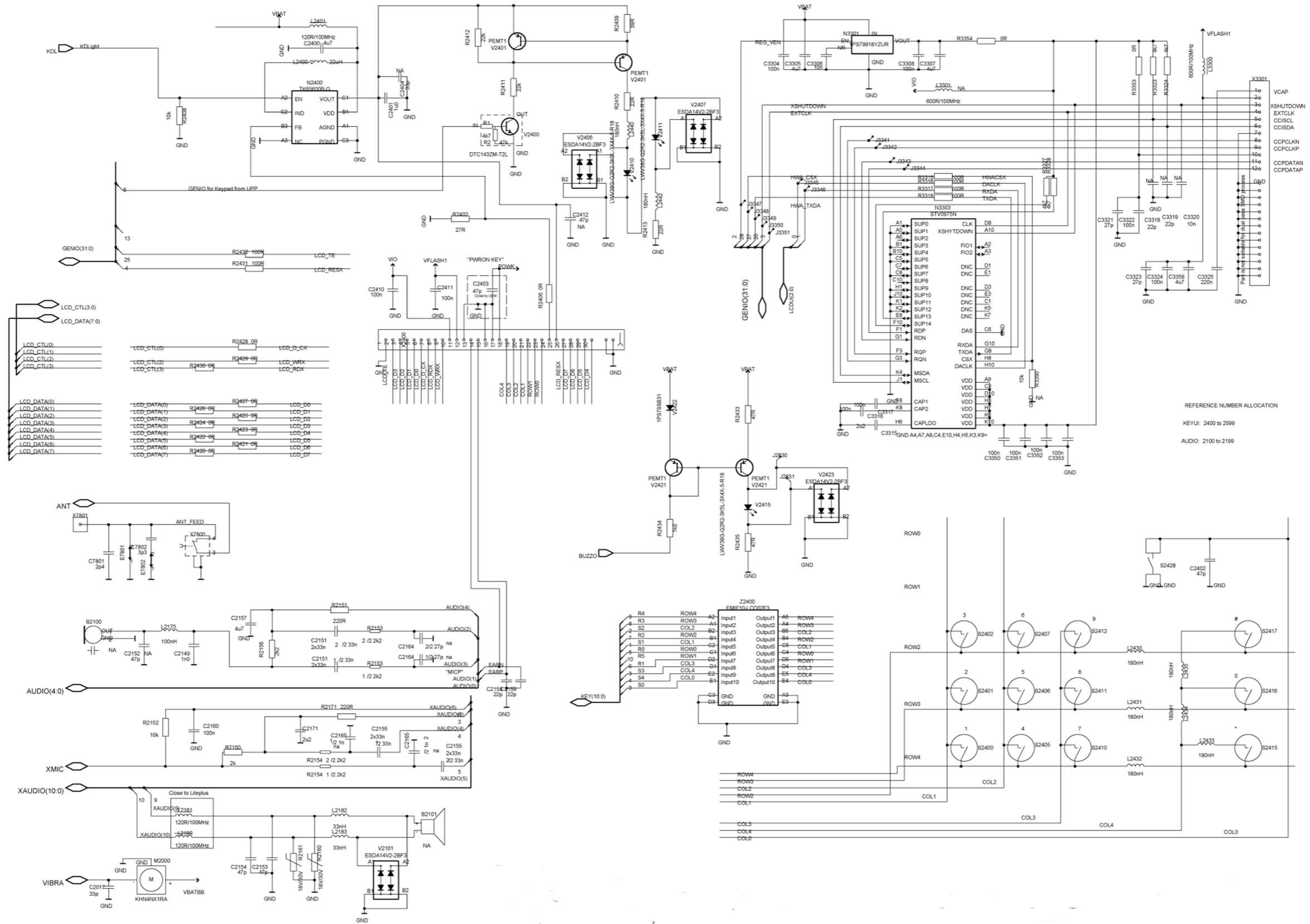
■ RM-438_439 BTH



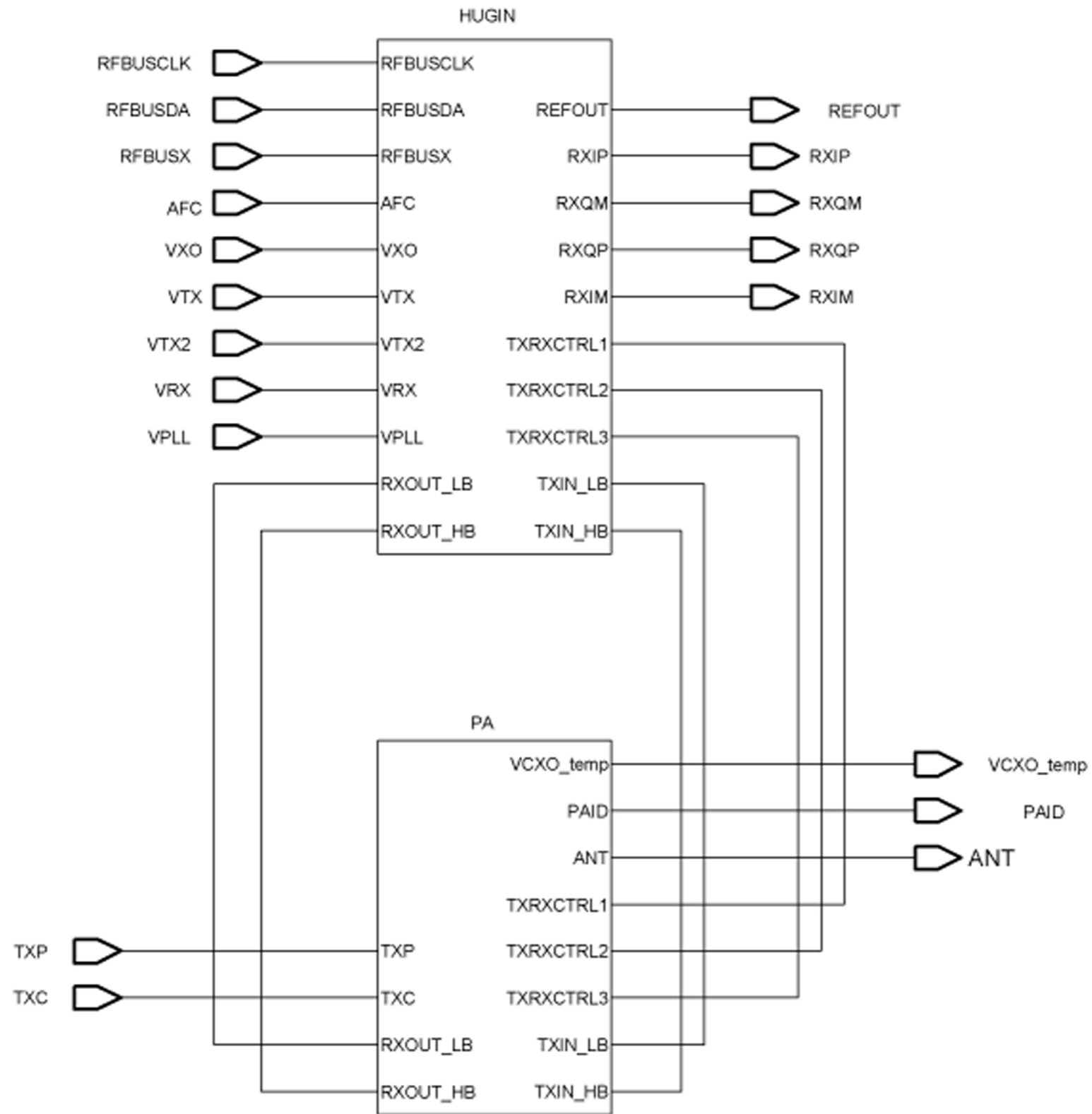
■ RM-438_439 Interface



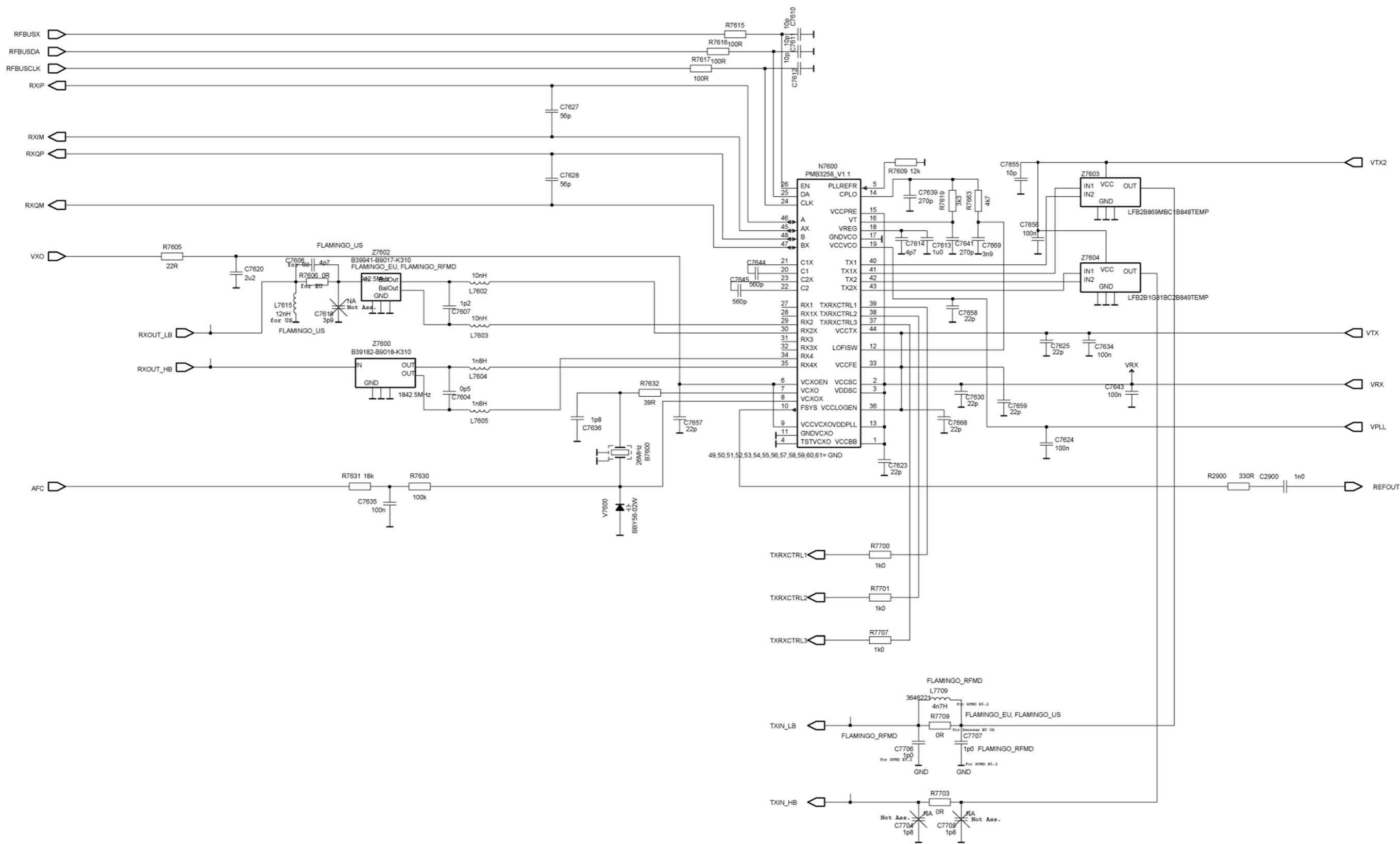
■ RM-438_439 UIHW & AUDIO



■ RM-438_439 HUGIN+ RF Reuse Block



■ RM-438_439 HUGIN Reuse Block Schematics



■ RM-438_439 FEM Block Schematics

